



The Assurance Rack System

Smart. Secure. Cost Effective. Compatible.

PYROMASTER LLC

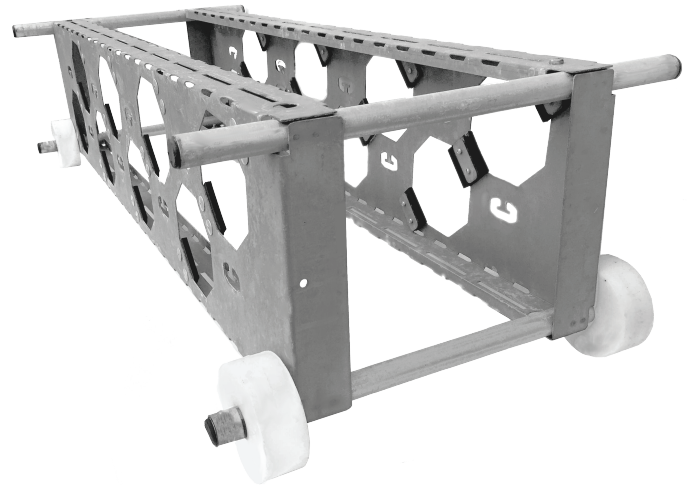
TAMING THE SKIES

513-941-0064

The ARS Advantage

- **Smart** - A safe investment in your future. Increase your bottom line with a strong asset value long after the purchase. Imagine eliminating your budget for rack repair and replacement!
- **Secure** - These fireproof racks have a proven record in the field for over 15 years of protection against catastrophic failures. ARS exceeds current NFPA 1123 rack recommendations. Time delay fuse can be implemented without fear of failed equipment.
- **Cost Effective** - These racks will deliver decades of service and require minimal maintenance and just make "cents" for you. The streamlined ARS setup will reduce bracing materials and the cost-associated screws, nails and all the tools normally used.
- **Compatible** - Your existing mortars, HDPE or fiberglass, can be used in the Assurance Rack System. Accepted in 49 states and Canada.

Take your show
to the next level



Specifications

Sizes:

- 2.5"-10 mortars - Available in 18" & 30" Leg Height
- 3" - 10 mortars - Available in 18" & 30" Leg Height
- 4" - 8 mortars - Available in 18" & 30" Leg Height
- 5" - 5 mortars - Available in 30" Leg Height
- 6" - 4 mortars - Available in 30" Leg Height
- All racks are same length for ease of mounting

Designs:

- Gen. 1 - 4 frame, aluminum
- Gen. 2 - 2 frame, aluminum
- Gen. 3 - 2 frame, galvanized steel, spot-welded
- Designed for 1.3g or 1.4g use up to 6"
- Galvanized coating and 32 point Spot welded construction
- Made from high quality ASTM International-certified aluminum or galvanized steel used by the automotive industry.
- Custom designs available
- Octo-grip rubber bumper system for securing mortars



PyroMaster LLC. Cincinnati, OH.

513.941.0064

www.pyromasterllc.com

